



**Offering added peace of mind  
and security with:**

- **Mechanical Breakdown Coverage**
- **Rental Reimbursement**
- **Trip Interruption Coverage**
- **Roadside Assistance**

## **GET PEACE OF MIND WITH A VEHICLE SERVICE CONTRACT FROM TECHCHOICE.**

Your vehicle is not a luxury, it is a necessity.

Drivers today are keeping their vehicles longer and driving them further than ever before. Next to your home, your vehicle probably represents your second largest investment.

A Vehicle Service Contract is one of the best investments you can choose. You are more likely to use it than the other forms of protection you might own.

Protect your investment with a Vehicle Service Contract from TechChoice and find peace of mind.



## **ADDITIONAL BENEFITS**

### **ALTERNATE TRANSPORTATION**

TechChoice provides up to \$30.00 per day (up to a maximum of \$150.00) for alternate transportation if your vehicle is in a repair facility undergoing repairs for a covered component.

### **TRIP INTERRUPTION**

You also have the added protection of expense coverage for overnight stays and meals incurred if you are left stranded due to the failure of a covered component and you are more than 100 miles from your home. TechChoice provides up to \$75.00 per day (maximum of 3 days) for trip interruption.

### **ROADSIDE ASSISTANCE**

You will be protected by Roadside Assistance for the full term of this contract. Benefits include Towing, Flat Tire Changes, Jump Starts, Fluid Delivery, Lockout Service, and Concierge Service. TechChoice will cover up to \$100.00 per occurrence for your protection (less the cost of parts or fluids required).

### **ROAD HAZARD COVERAGE (Tire Only)**

If you experience a road hazard you will be reimbursed the cost to repair or, if non-repairable, the cost to replace a tire(s) damaged as a result of a road hazard on a public roadway. You will be reimbursed up to \$20 per occurrence for the full charges incurred by the repair. For tire replacement, you will be reimbursed up to \$100 for each tire per occurrence. Maximum benefit for the term is \$400.

### **UNLIMITED NUMBER OF CLAIMS**

The number of claims on your vehicle is unlimited. The total amount of coverage can be as high as the value of your vehicle.

### **ABILITY TO TRANSFER UPON RESALE**

Your TechChoice coverage may be transferred to the next owner of your vehicle if you decide to sell it, increasing the resale value of your vehicle from day one.

### **NATIONWIDE COVERAGE**

Your TechChoice contract is honored in both the United States and Canada. If you happen to be traveling, you have peace of mind that repairs of a covered component will be taken care of for you. Just call our toll free number for prior approval.

### **CHOICE OF DEDUCTIBLE**

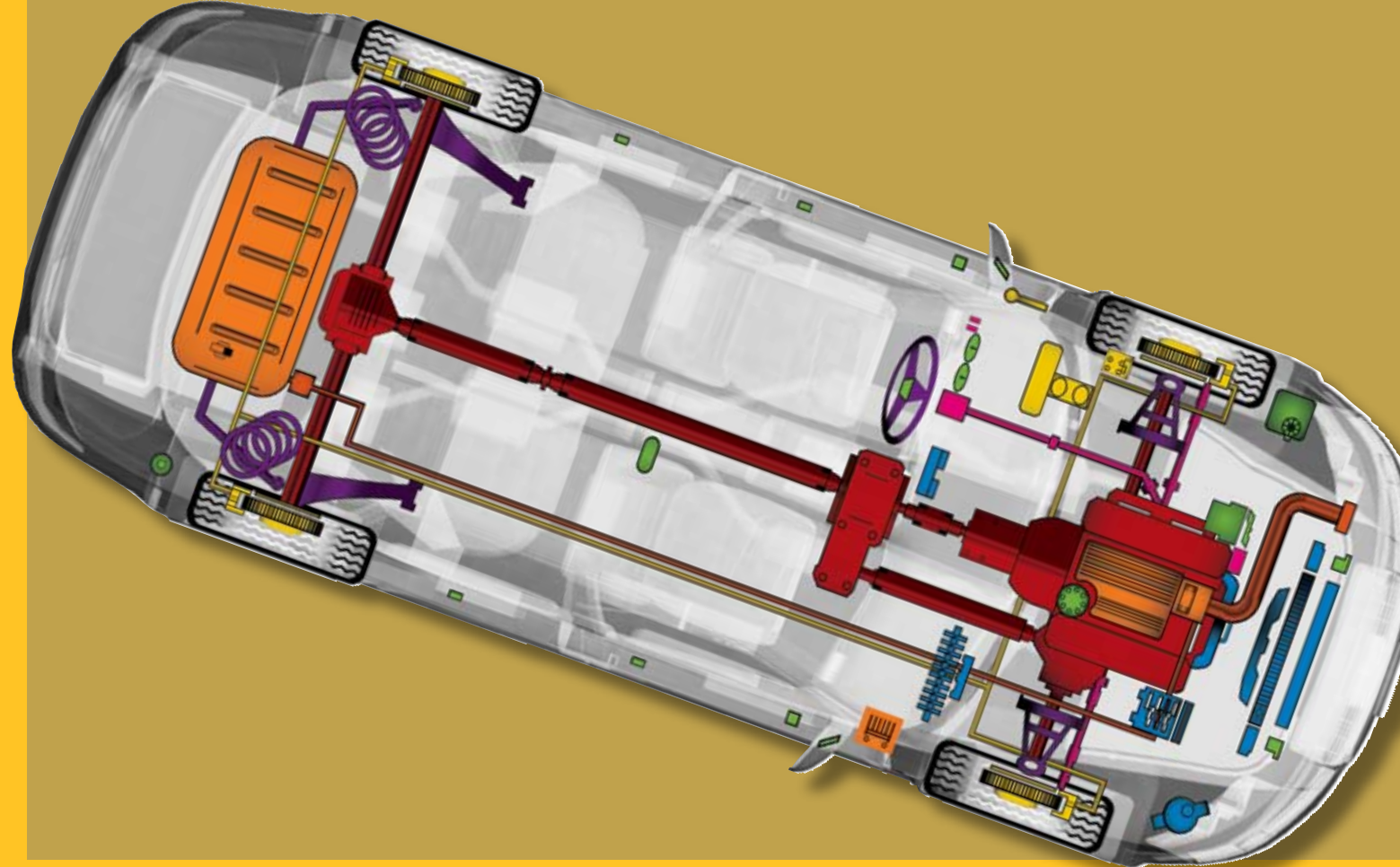
You pay only your selected deductible if your vehicle experiences a covered mechanical breakdown.

## Used Vehicle Deluxe Program

**COVERED PARTS:** The following is a list of Covered Parts as determined by the coverage you selected, as indicated on your Vehicle Service Contract. For convenience, Covered Parts are listed below within each vehicle system. *The vehicle systems listed are NOT Covered Parts.*

- **ENGINE:** Cylinder block and cylinder heads and all internally lubricated parts; turbocharger; supercharger; harmonic balancer; timing gear, chain and belt; timing cover; intake and exhaust manifolds; valve covers; oil pan; engine mounts; belt tensioners; cam gear bolt; harmonic balancer bolt; and head bolts.
- **TRANSMISSION:** Transmission case and all internally lubricated parts; torque converter; flywheel/flex plate; vacuum modulator and transmission mounts; transmission cooler; and transmission oil pan.
- **TRANSFER CASE:** Transfer case and all internally lubricated parts.
- **DRIVE AXLE(S):** Drive axle housing and all internally lubricated parts; 4X4 actuator; drive shafts; universal joints; constant velocity joints and locking hubs; center support/carrier bearings; differential cover; electronic shift control unit.
- **AC/HEATING:** Condenser; compressor; compressor clutch; evaporator; compressor pulley; accumulator; drier; expansion valve; idler pulley; temperature control programmer; heater core; blower motor; high/low cut off switch; and pressure cycling switch.
- **SUSPENSION:** Upper and lower control arm shafts, bearings and bushings; wheel bearings; spindles; ball joints; king pins and bushings; radius arm and bushings; stabilizer bar, arm and bushings; wheel bearings; torsion bars; hub assembly; springs; and suspension level control compressor.
- **STEERING:** Steering gear box/rack and all internally lubricated parts; power steering pump; pitman arm; idler arm; tie rod ends; drag link; steering column shaft and column couplings.
- **COOLING:** Water pump; radiator; cooling fan; cooling fan motor; fan clutch; and coolant recovery tank.
- **FUEL SYSTEM:** Fuel delivery pump; fuel injection pump; fuel injectors; fuel tank; metal fuel lines; fuel pressure regulator; fuel sending unit; fuel gauge; air control valve; electronic fuel injection computer/module and sensors.

## TechChoice Offers Coverage Options Based on the Year and Mileage of Your Vehicle at the Time of Purchase



- **ELECTRICAL:** Alternator/generator; ignition module; ignition switch; headlight switch; turn signal switch; horns; distributor (does not include cap and rotor); starter motor; starter solenoid; starter drive; windshield wiper motors; windshield wiper delay switch; windshield wiper linkage; windshield washer pump; power seat motor; power antenna motor; power window motors and regulators; power door locks and actuators; power trunk release; wiring harness; cruise control assembly; ignition lock cylinder; manually operated switches; convertible top motor; and driver information gauges/indicators (excludes burned out light bulbs). (Original factory installed radio, main speaker system, and single compact disk/cassette player up to a maximum of \$300 of repair or replacement cost.)

- **BRAKE:** Master cylinder; power brake cylinder; vacuum assist booster; calipers; wheel cylinders; compensating valve; ABS accumulator, pump, motor, reservoir, and wheel speed sensors; hydraulic lines and fittings; and parking brake actuator.
- **SEALS AND GASKETS:** Leaking seals and gaskets on any covered part listed above. (Note: Minor loss of fluid or seepage is considered normal and is not considered a Mechanical Breakdown.)
- **OPTIONAL COVERAGE:** This program will cover Factory Installed Navigation Systems for an additional fee.

## New Vehicle Ultimate Program

**COVERED PARTS:** Repairs on all assemblies and parts are covered on your vehicle with the exception of the following list.

**WHAT IS NOT COVERED:** Paint, carpet, bright metal, trim, sheet metal, bumpers, body panels, glass, physical damage, molding, upholstery, lenses, sealed beams, light bulbs, fuses, circuit breakers, cellular phones, television/VCR/DVD players, game centers, AM/FM radio/cassette/CD players and speakers exceeding three hundred dollar (\$300) repair or replacement costs, audio/video equipment, all touch screen and/or voice activated accessories (including related display screens and heads up displays on windshields), electronic transmitting/receiving devices, navigation systems, voice recognition systems, remote control consoles, radar detection devices, weather-strips, all exhaust components, the following emission components: purge valve/solenoids/sensors, vacuum canister, vapor return canister, vapor return lines/valves, air pump/lines/valves, emission vapor sensors, gas cap/filler neck, catalytic converter, battery, battery cables/harness, spark plug wires, fan belts, non-metallic hoses, distributor cap and rotor, shock absorbers, manual/hydraulic clutch assembly, friction clutch disc and pressure plate, weather strips, trim, outside ornamentation, frame and structural body parts, vinyl and convertible tops, canvas top, any convertible top assemblies, fabric top, fiberglass top, hardware or linkages, tires, wheel/rims, wheel balances, safety restraint systems (including air bags), air and water leaks, wind noise, squeaks, rattles, all maintenance services including alignments, brake pads and shoes, brake rotors and drums, tune ups, coolants, lubricants.

**OPTIONAL COVERAGE:** This program will cover Factory Installed Navigation Systems for an additional fee.

## Car Rental And Travel Discount Programs

### CAR RENTAL AND TRAVEL DISCOUNT:

Save with special rates from participating car rental agencies and hotels. See vehicle service contract for complete list of rental agencies, hotels and their phone numbers.

**The TechChoice™**  
VEHICLE SERVICE CONTRACTS



## General Warranty Services Inc.

*Serving America one mile at a time*

Additional information and claims assistance

[www.generalwarrantyservices.com](http://www.generalwarrantyservices.com)

For instant quote call: 603-685-0100

The TechChoice is underwritten by an "A" rated (by A.M. Best Company) national insurance company.

This brochure is for illustration purposes only. The actual coverages, exclusions and limitations of the contract may vary from state to state based on the program chosen by the customer.